

ILLUSTRATED PARTS BREAKDOWN PDP 11/70 16 BIT COMPUTER (Basic)

HOW TO USE THE IPB

GENERAL

This IPB is compiled following the organization and nomenclature of the engineering drawing structure.

MAJOR ASSEMBLY LOCATOR

The Major Assembly Locator (first illustration) is an index that provides a description and a figure reference for all illustrations used in this manual.

INDENTED PARTS LIST

This manual identifies each assembly being broken down (figure reference callout), and all parts of that assembly. Further breakdown of an assembly is shown by an asterisk (*) preceding the item callouts in the Description Column. The number of asterisks preceding an item is used to denote the subordination of that item with respect to the Major Assembly. A single asterisk preceding an item description indicates that the item is part of the major assembly being illustrated. Items that are subordinate to single asterisks items, are denoted by two asterisks (**) and immediately follow the related single asterisk item. Additional asterisks are used, as required, to denote further subordination. This system of part identification, provides a means for the user to identify the next higher assembly item and make alternate selections for parts when the required replacement part or assembly is not immediately available.

COLUMN CALLOUT DESCRIPTION

Figure & Item - Indicates the figure number and item number of each part.

Description - Lists the name of the part and pertinent specifications (when required). Asterisks preceding the description denote the subordination of the part to the next higher assembly.

DEC Part No. - Lists the DEC part ordering number. A blank in this column indicates a DEC part number was not assigned at the time of publication.

ECO Cut-In - The notation at the top of this column indicates the ECO level of the system (option), at which the IPB was initially prepared. Subsequent ECO level designations, that modify existing parts or add new parts to the device, are inserted in the ECO Cut-In column next to the part that is added or modified. A bracket ([]) preceding the item description is used to indicate the parts affected by ECO's.

Vendor Code/Part No. - Indicates vendor parts that are not stocked by DEC. Refer to the Field Service Spares Catalog (vendor part number to DEC part number) for the vendor code cross-reference.

Used On Code - Letters in this column correspond to the variation codes assigned in Figure 1. Parts with an Alpha notation(s) are used only in those option variations. A blank indicates that the part is used on all option variations.

Ref Fig No. - A cross reference between illustrations. For each Major Assembly, the number in this column denotes the figure of the next higher assembly. For all subassemblies, the number in this column denotes the figure showing additional detailed breakdown.

SYMBOL USAGE

Hardware Designators - Alpha designators for screws (S), washers (W), nuts (N), and retaining rings (R) are inserted after the item number callouts on the illustration when stacked item numbers are used.

Attaching Hardware - The @ symbol is inserted before any part that is used as attaching hardware. Attaching hardware is denoted as those parts that are not an integral part of the referenced assembly.

(NFR) Not Field Repairable - The (NFR) symbol is inserted after any assembly that is not to be field dismantled.

Other Symbols - Any other symbols that are required for kits, accessories, etc., will be explained and appear as part of the item description.

REVISION HISTORY

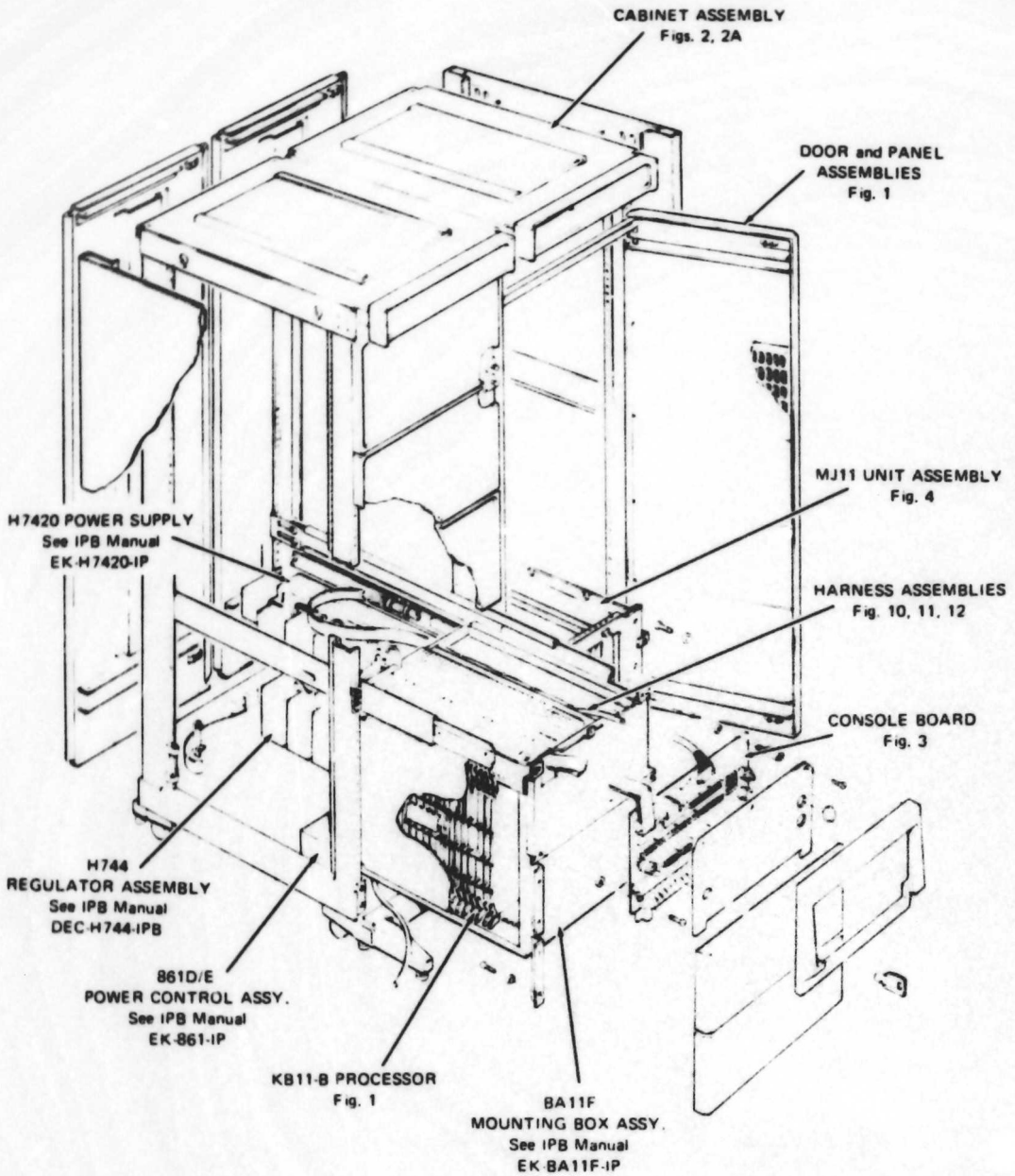
PRINTING	ECO LEVEL	DATE	PAGES AFFECTED
1st Printing	11-70 70-06501 54-11294 MJ11A 70-10694 70-10014 70-09811 54-1099J 70-10580 70-10581 70-11051	00002-00002 00012-00012 00000-00000 00002-00002 00002-00002 00003-00003 00002-00002 00018-00018 00001-00001 00000-00000 00000-00000	8-4-75 N/A

Copyright © 1975 by Digital Equipment Corporation

DEC reserves the right, without notice, to make substitutions and modifications in the specifications of products documented in this manual and further reserves the right to withdraw any of these products from the market without notice.

DEC is not responsible for errors which may appear in the technical description (including illustrations and photographs) of the products covered by this manual.

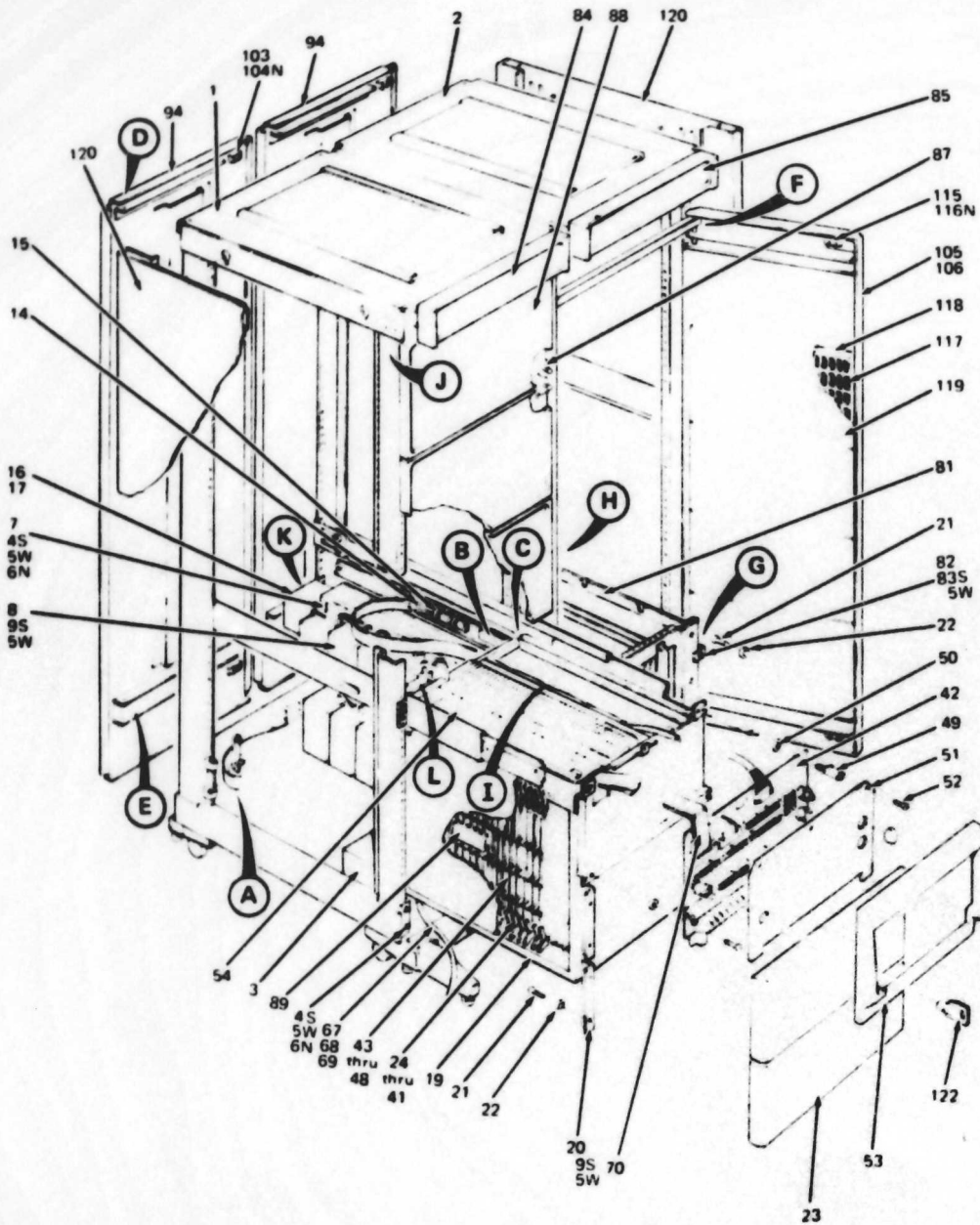
None of the descriptions contained in this manual imply the granting of any license whatsoever to make, use or sell equipment constructed in accordance therewith.



11/70-01



Major Assembly Locator, PDP 11/70 16 Bit Computer (Basic)



11 70 02

Figure 1 PDP 11/70 16 Bit Computer Assembly (Basic) Sheet 1 of 3



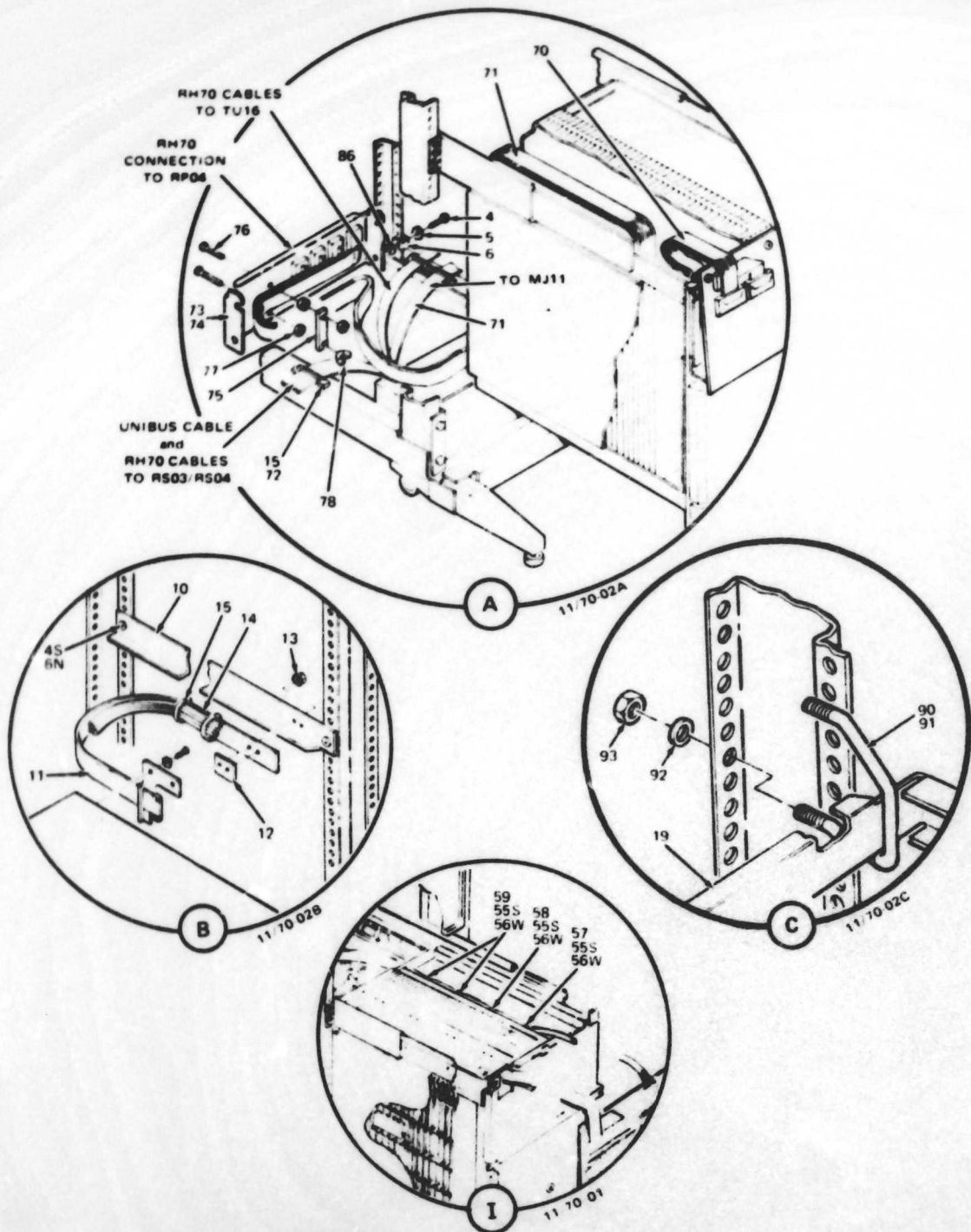


Figure 1. PDP 11/70 16 Bit Computer Assembly (Basic) Sheet 2 of 3

digital
PARTS LIST

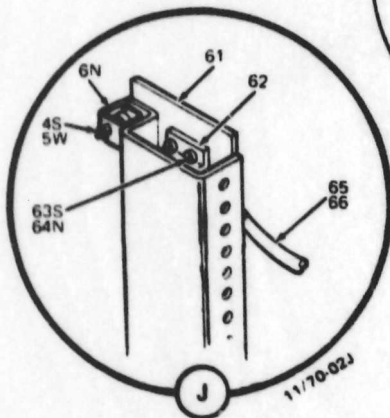
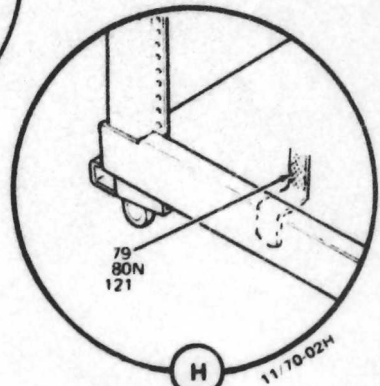
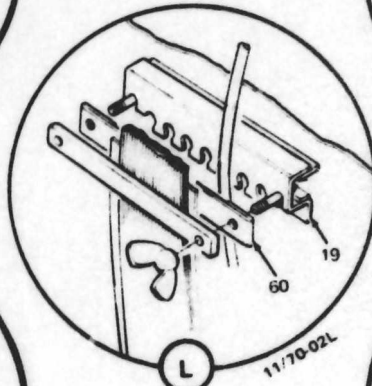
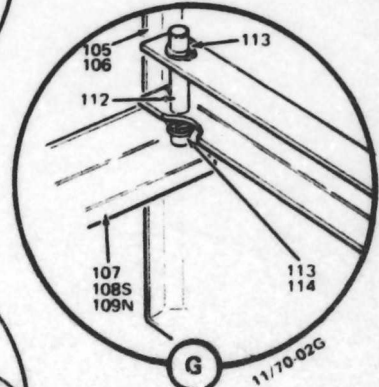
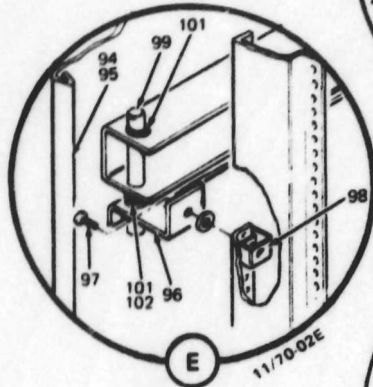
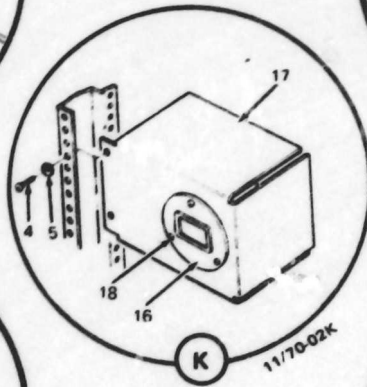
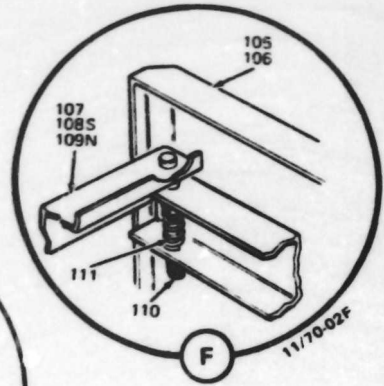
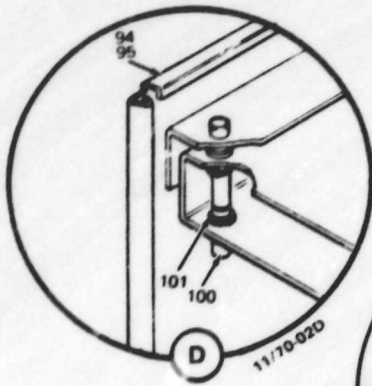
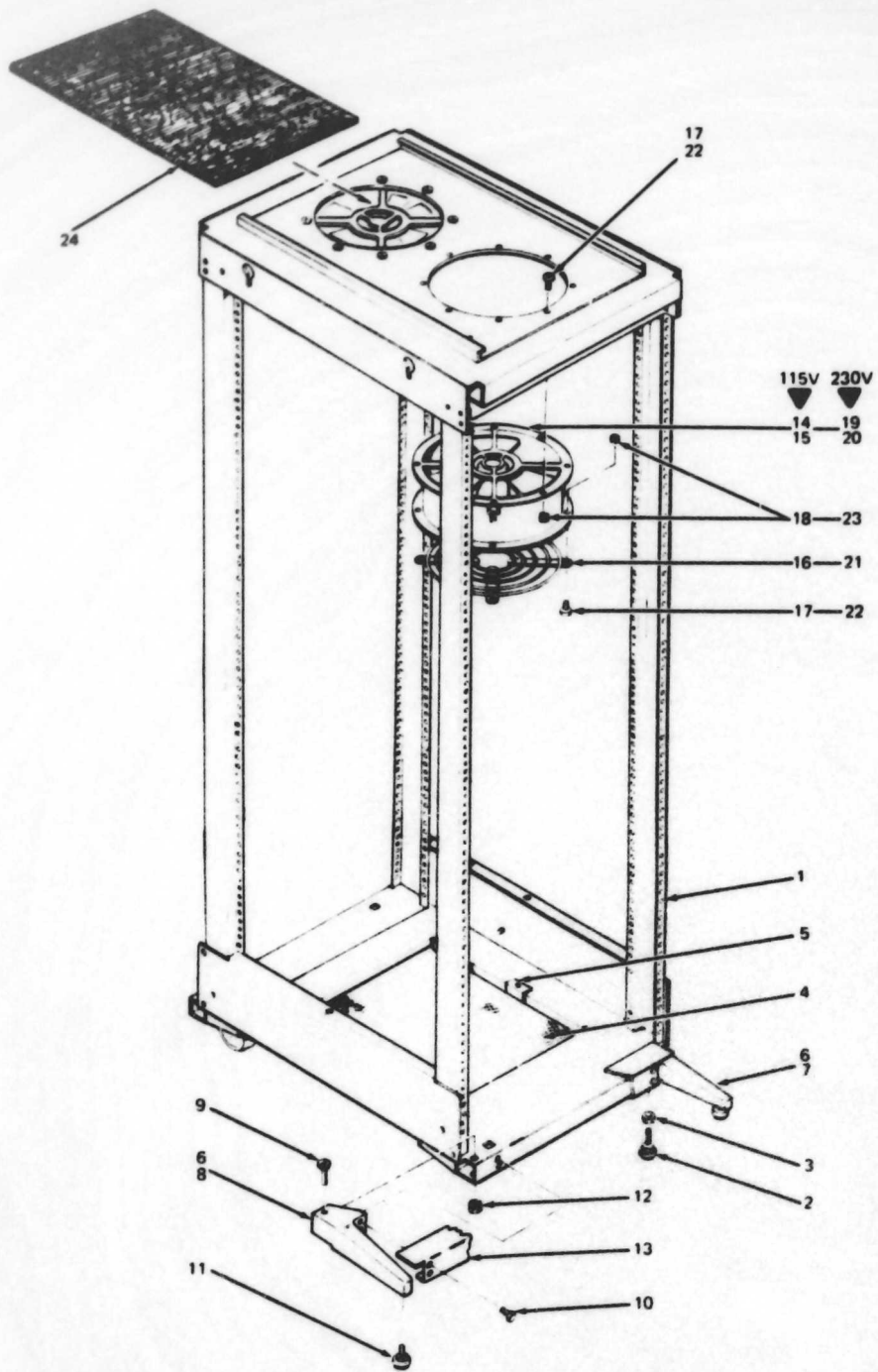


Figure 1. PDP 11/70 16 Bit Computer Assembly (Basic) Sheet 3 of 3

FIG & ITEM NO.	DESCRIPTION	DEC PART NO.	ECO CUT-IN 11/70 00002	USED ON CODE	VENDOR		REF FIG NO.
					CODE	PART NO.	
1--	PDP-11/70 UNIT ASSEMBLY (Basic)						
	Code A - Used on Model 11/70-CA 115V	11/70-CA		A			
	Code B - Used on Model 11/70-CB 230V	11/70-CB		B			
1	*BASIC CABINET ASSEMBLY (19") (11/70) 115V	70-06501-36		A			
	*BASIC CABINET ASSEMBLY (19") (11/70) 230V	70-06501-40		B			2
2	*BASIC CABINET ASSEMBLY (19") (MJ11)	70-06501-35					2A
3	*POWER CONTROLLER ASSEMBLY (861-D) 115V	861 D		A			
	*POWER CONTROLLER ASSEMBLY (861-E) 230V	861 E		B		See IPB Manual EK 861-IP	
4	*Screw, Phi Truss Hd No. 10-32 x .50	90-06073-03					
5	*Washer, Ext Tooth Lock No. 10	90-07651-00					
6	*Nut, Spring No. 10	90-07786-00					
7	*H7420-E POWER SUPPLY ASSY. 120V	H7420-E		A			
	*H7420-F POWER SUPPLY ASSY. 240V	H7420-F		B		See IPB Manual EK H7420-IP	
8	*H744 REGULATOR ASSEMBLY (5V)	H744-00				See IPB Manual DEC H744-IPB	
9	*Screw, Phi Truss Hd No. 10-32 x .38	90-06071-03					
10	*Bracket, Harness Support	74-09445-00					
11	*Support, Harness	74-09446-00					
12	*Plate, Support	74-09447-00					
13	*Nut, Kep No. 10-32	90-06565-00					
14	*HARNESS, Power	70-11051-00					11
15	*Tie Wrap	90-07880-00					
16	*Meter, Elapsed Time 120V 60Hz	12-01208-00		A			
	*Meter, Elapsed Time 120V 50 Hz	12-02234-00		B			
17	*Bracket, Meter Mounting	74-09622-00					
18	*Screw, Phi Pan Hd Self-Tap No. 4-40 x .31	90-09236-01					
19	*MOUNTING BOX ASSEMBLY	BA11-FK				See IPB Manual EK BA11F-IP	
20	*Bracket, Panel Support	74-12671-00					
21	*Screw, Phi Pan Hd No. 6-32 x .38	90-06022-01					
22	*Washer, Int Tooth Lock No. 6	90-06633-00					
23	*PANEL ASSEMBLY	70-10297-00					
24	*PROCESSOR (16 Bit) (Note: KB11-B Processor consists of Items 25 thru 42 only. For Module locations refer to Drawing D-UA-11/70-0-0 Sheet 3 or Module Placement Sticker (Item 54) located on top of Mounting Box Item 19)	KB11 B					
25	**Data Paths Module	MB130					
26	**Gen. Reg. Plus Alu. Controls Module	MB131					
26a	**IR Decode Module	MB132					
27	**ROM Plus ROM Control Module	MB133					
28	**Processor Data and Unibus Control Module	MB134					
29	**Traps and Misc. Controls Module	MB135					
30	**Unibus and Console Control Module	MB136					
31	**System Address Paths Module	MB137					
32	**System Status Registers Module	MB138					
33	**Timing Generator Module	MB139					
34	**System Descriptor and Console Cables	MB140					
35	**Unibus Map Module	MB141					
36	**Cache Control Board	MB142					
37	**Address Memory Board	MB143					
38	**Data Memory Board	MB144					
39	**Cache Data Paths	MB145					

FIG & ITEM NO.	DESCRIPTION	DEC PART NO.	ECO CUT-IN 11/70 00002	USED ON CODE	VENDOR		REF FIG NO.
					CODE	PART NO.	
1-							
40	**Blank, Module	74-13647-00					
41	**Processor Backplane Assembly	70-10329-00					
42	**CONSOLE BOARD ASSEMBLY	54-11294-00					3
43	*Grant Continuity Module	G727					
44	*Sync. Line Interface Module	DL11 A					
45	*Terminator Boot Strap Module	M9301-YC					
46	*Bus Terminator Module	M9302					
47	*Line Time Clock Interface	KW11-L					
48	*Memory Bus Terminator (Located on MB148 and MB149 Modules within MJ11 Unit Assem. Item 81)	M673					
49	*Spacer, Hex No. 6-32 male x .38	12-12316-00					
50	*Washer, Fibre (Adhesive Back)	90-08848-00					
51	*Panel, Indicator	74-13126-00					
52	*Screw, Phi Flat Hd No. 6-32 x .38	90-06404-02					
53	*Bezel	12-10710-00					
54	*Sticker, 11/70 Processor Module Placement	36-12424-00					
55	*Screw, Phi Hd Pan No. 8-32 x .38 (Used with Washer Item 56 to secure Power Harness (Item 14) and Backplane Assy Item 41 to BA11FK Mounting Box Item 19)	90-06037-01					
56	*Washer, Ext Tooth Lock No. 8	90-08072-00					
57	*Cable Clamp 3/8"	90-07083-00					
58	*Cable Clamp 5/8"	90-07087-00					
59	*Cable Clamp 7/8"	90-07090-00					
60	*Clamp, Unibus Cable	70-11033-00					
61	*Plate, Jones Strip	74-07607-00					
62	*Strip, Terminal	90-06899-00					
63	*Screw, Phi Pan Hd No. 6-32 x .62	90-06025-01					
64	*Nut, Kep No. 6-32	90-06560-00					
65	*Power Cord 115V 13A (9 ft)	17-00006-09		A			
	*Power Cord 230V 10A (9 ft)	17-00016-09		B			
66	*Connector, Solderless Crimp No. 10 Hole	90-07928-01					
67	*HARNESS (861 D to 861-D)	70-10695-00					
68	**Connector (P1, P2) Pin Housing 3 Pin Mate-N-Lok	12-09351-03					
69	**Terminal, Pin Contact	12-09378-05					
70	*I/O CABLE ASSEMBLY	8C06R-02					
71	*CABLE ASSEMBLY (To MJ11)	70-10823-00					
72	*Tie Mount, Adhesive Back	90-08264-00					
73	*CONNECTOR PANEL ASSEMBLY	70-10574-00					
74	*Panel, Connector	70-10775-00					
75	**Clamp, Cable	74-13107-00					
76	**Screw, Phi Pan Hd No. 8-32 x 1.50	90-06045-01					
77	**Nut, Kep No. 8-32	90-06563-00					
78	**Nut, Wing No. 8-32	90-06571-00					
79	*Jumper Assembly	90-08887-00					
80	*Nut, Kep 5/16 - 18	90-06568-00					
81	*UNIT ASSEMBLY (MJ11) 115V	MJ11-AY		A			4
	*UNIT ASSEMBLY (MJ11) 230V	MJ11-AZ		B			4
82	*Bracket, Locking	74-13664-00					
83	*Screw, Phi Truss Hd No. 10-32 x 1.0	90-06077-03					
84	*Panel, Logo (11/70)	70-10780-00					
85	*Panel, Logo (Blank)	70-10780-01					
86	*Washer, Nylon .25 ID x .06 Thk	90-06714-00					
87	*Moulding, Thick Latch	12-11386-00					
88	*Cover, Panel (10-1/2)	H950-Q8					

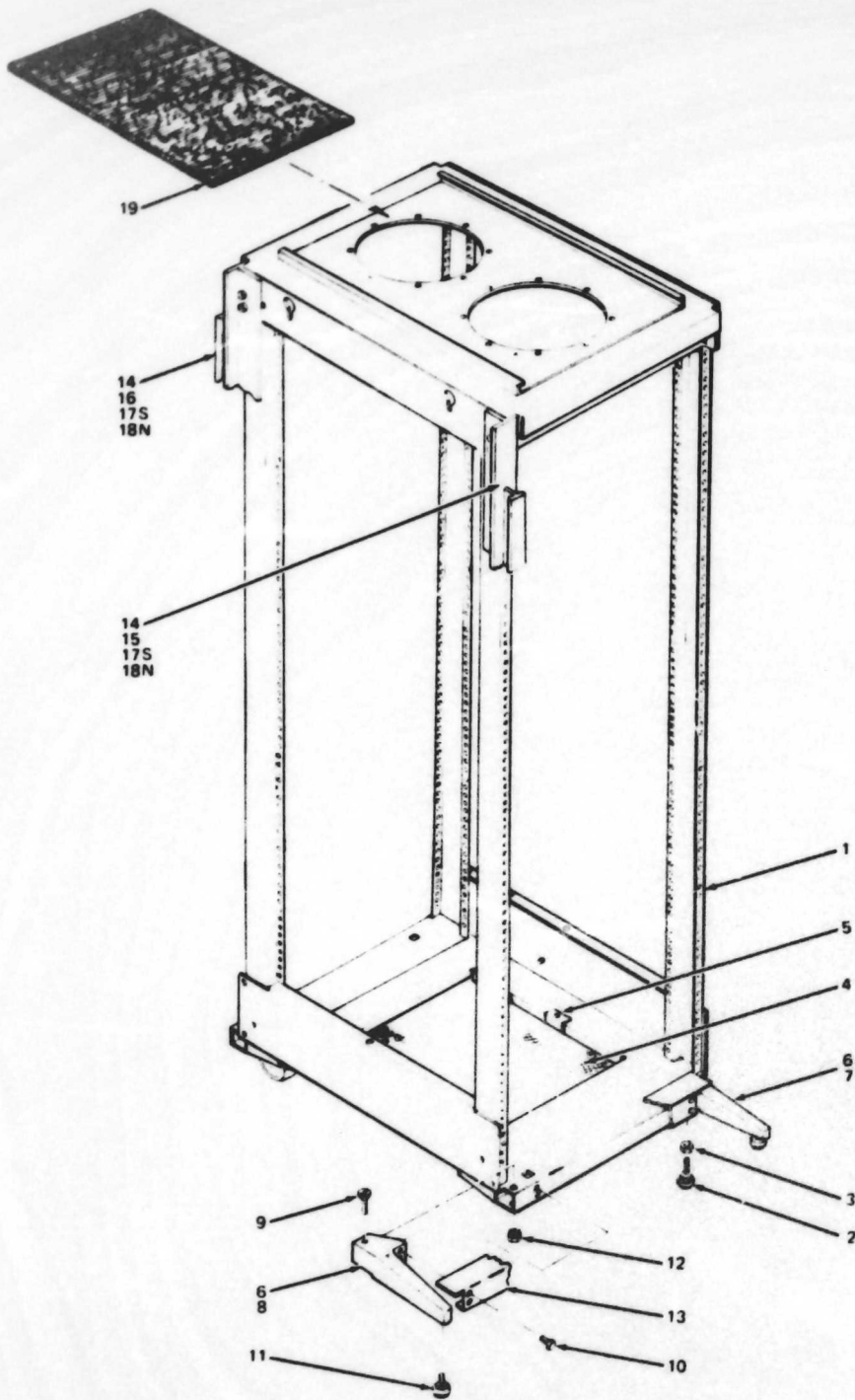
FIG & ITEM NO.	DESCRIPTION	DEC PART NO.	ECO CUT-IN 11/70 00002	USED ON CODE	VENDOR		REF FIG NO.
					CODE	PART NO.	
1-							
89	*Holder, Module	12-09856-02					
90	*SHIPPING BRACKET (Processor) (Includes Items 91-92-93)	70-10865-00					
91	**Bracket, Shipping	74-13486-00					
92	**Washer, Flat .625 x .20 ID x .03 Thk	90-06668-00					
93	**Nut, Kap No. 10-32	90-06565-00					
94	*FULL DOOR UNIT ASSEMBLY	70-10532-00					
95	**Full Door Assembly	70-10208-00					
96	**Support, Short Door Pivot	74-06807-00					
97	**Screw, Phi Pan Hd No. 10-32 x .62	90-06074-01					
98	**Nut, Spring	90-07786-00					
99	**Pin, Short Door	74-06816-00					
100	**Pin, Door	74-06671-00					
101	**Ring, Retaining	90-07184-00					
102	**Washer, Nylon .06 Thick	12-09163-00					
103	**Magnet	12-09165-00					
104	**Nut, Kap No. 6-32	90-06560-00					
105	*FRONT DOOR ASSEMBLY	70-10791-00					
106	**Door, Front	70-10498-00					
107	**Support, Short Door Pivot	74-06807-00					
108	**Screw, Phi Pan Hd No. 10-32 x .62	90-06074-01					
109	**Nut, Spring	90-07786-00					
110	**Pin Short Door	74-06763-00					
111	**Spring 5/16 ID x 1.12 Lg	90-07097-00					
112	**Pin, Short Door	74-06816-00					
113	**Ring Retaining .50 Dia x .025	90-07184-00					
114	**Washer, Nylon .50 OD x .34 ID x .06	12-09163-00					
115	**Magnet	12-09165-00					
116	**Nut, Kap No. 6-32	90-06560-00					
117	**Strip, Right and Left	74-13707-01					
118	**Strip, Bottom and Top	74-13707-00					
119	**Filter, Foam .38 x 9.4 x 18	12-12392-01					
120	*END PANEL	H952-AC					
121	*Tubing, Black (9 in.)	91-07646-00				99	XX2247
122	*Key, Spare	29-15843-00					
	DECALS (Not Shown)						
	*Cabinet Designation (Cab 0)	36-12425-00					
	*Cabinet Designation (Cab 1)	36-12425-01					
	*11/70 Reg. Configuration	36-12426-00					
	*Power Harness Decal (P)	74-09872-00					
	*Cable Marker (Console J1)	36-12427-14					
	*Cable Marker (Console J2)	36-12427-15					
	*Cable Marker (Console J3)	36-12427-16					
	*Cable Marker (MB134-J1)	36-12427-13					
	*Cable Marker (MB140-J2)	36-12427-12					
	*Cable Marker (MB140-J1)	36-12427-11					
	*Decal, 115V (white on clear)	74-07314-00					
	*Decal, 230V (white on clear)	74-06574-00					
	*Decal, Patent	74-09478-00					



11/70-03

Figure 2. Cabinet Assembly, PDP 11/70 (19" Basic with Fans)

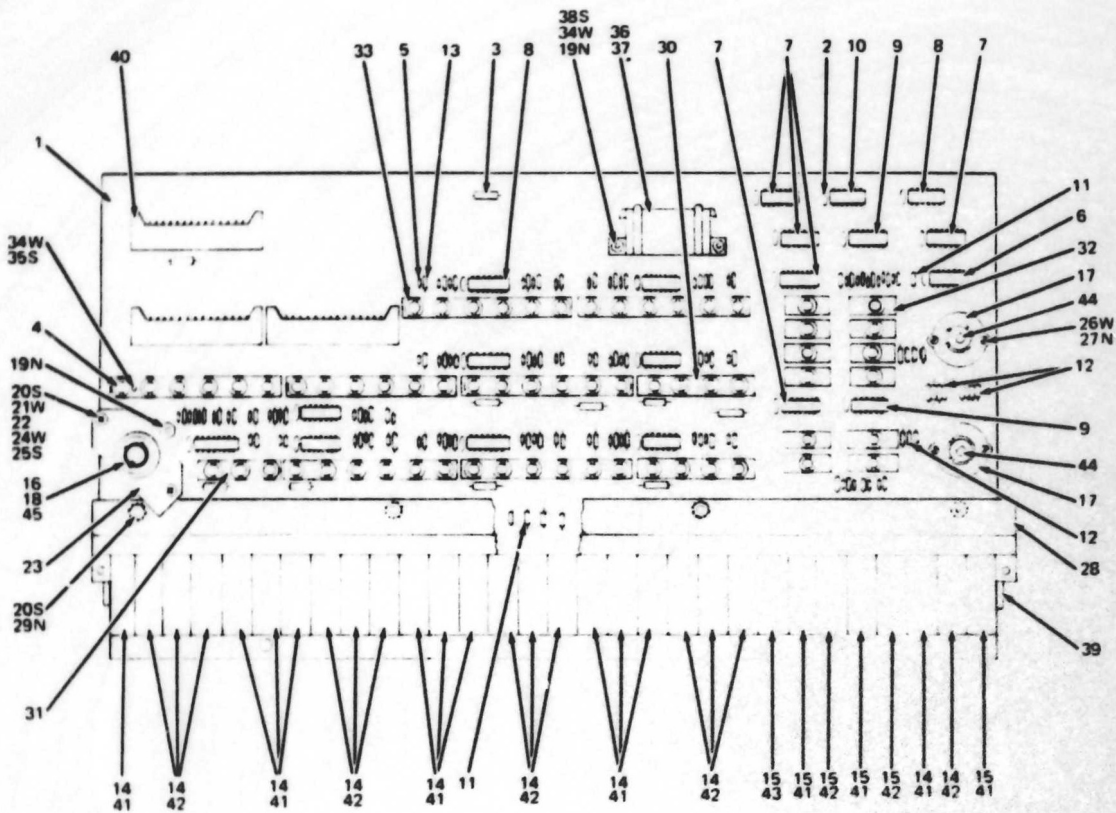
FIG & ITEM NO.	DESCRIPTION	DEC PART NO.	ECO CUT-IN 70-06501 00012	USED ON CODE	VENDOR		REF FIG NO.
					CODE	PART NO.	
2-	CABINET ASSEMBLY - PDP11/70 (19" Basic) 115V	70-06501-36		A			1
	CABINET ASSEMBLY - PDP11/70 (19" Basic) 230V	70-06501-40		B			
1	*FRAME ASSEMBLY (19")	H950-AA					
2	**Leveler	90-07600-00					
3	**Nut, Hex Lock (1/2-13 NC)	90-06596-00					
4	**Screen, Bottom Pan	74-11606-00					
5	**Screws, Sems Slotted Hd No. 10-32 x 5/8	90-08323-00					
6	*STABILIZER FOOT ASSY (Specify whether RH or LH)	H952-8A					
7	**Stabilizer Foot (RH)	74-06699-01					
8	**Stabilizer Foot (LH)	74-06699-02					
9	**Screw, Flat Hd Shoulder, 1/4-20 x 2-5/8	90-08370-00					
10	**Screw, Phi Hd Truss No. 10-32 x 3/4	90-07630-00					
11	**Leveler (FB-2724)	90-07601-00					
12	**Nut, Kep 1/4-20	90-08203-00					
13	*Kick Plate	74-06782-00					
14	*FAN ASSEMBLY (115V)	H952-CC		A			
15	**Fan, CLZL Caravel (115V)	12-04826-00		A			
16	*Guard, Finger	12-09175-00		A			
17	**Screw, Phi Truss Hd No. 8-32 x 3/8	90-06037-03		A			
18	**Nut, Kep No. 8-32	90-06563-00		A			
19	*FAN ASSEMBLY (230V)	H952-CD		B			
20	**Fan, Caravel (230V)	12-09798-00		B			
21	*Guard, Finger	12-09175-00		B			
22	**Screw, Phi Truss Hd No. 8-32 x 3/8	90-06037-03		B			
23	**Nut, Kep No. 8-32	90-06563-00		B			
24	*Filter	H950-SA					



11/70-04

Figure 2A. Cabinet Assembly, PDP 11/70 (19" Basic without Fans)

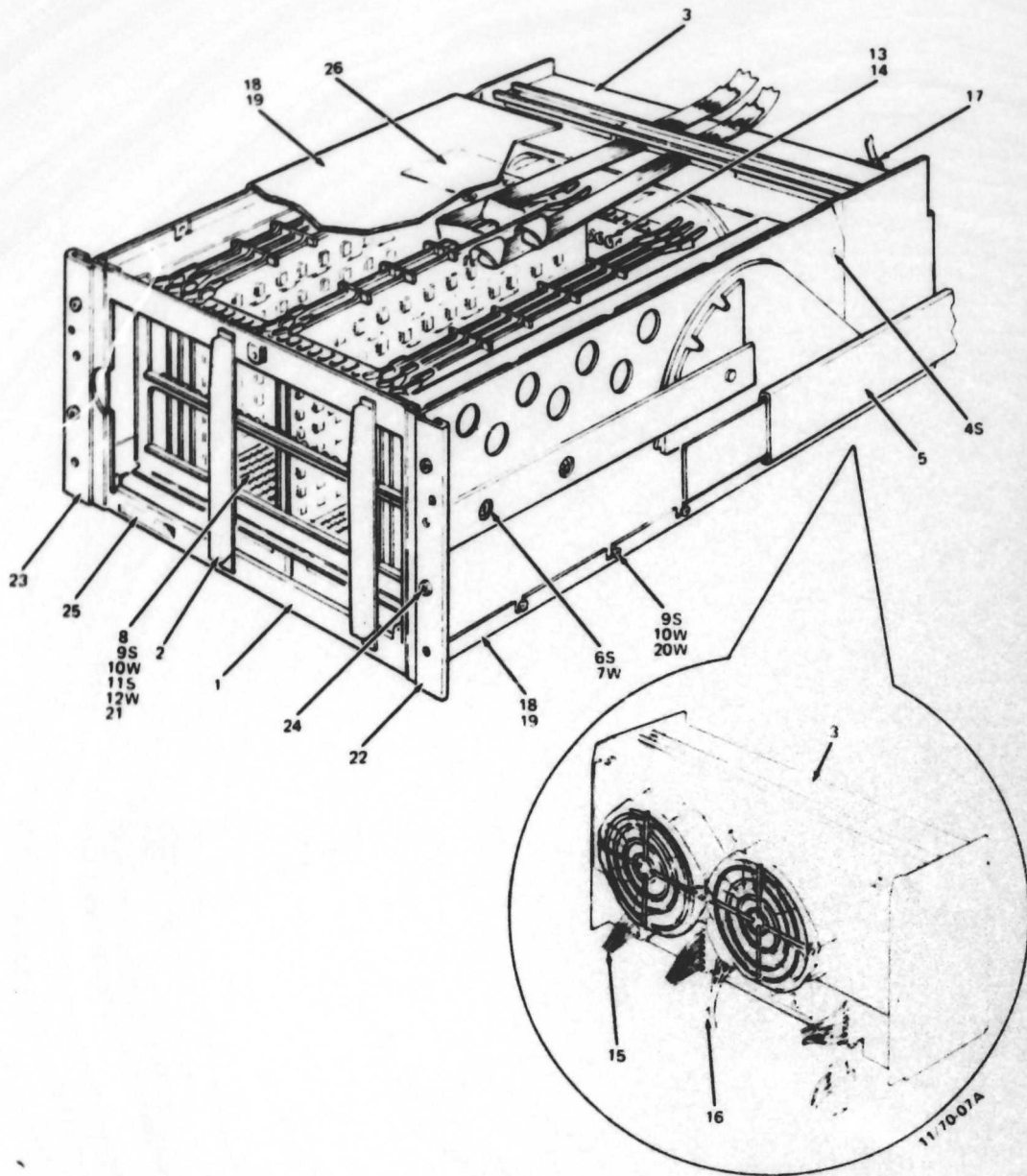
FIG & ITEM NO.	DESCRIPTION	DEC PART NO.	ECO CUT-IN	USED ON CODE	VENDO.		REF FIG NO.
			70-06501 00012		CODE	PART NO.	
2A	CABINET ASSEMBLY - PDP11/70 MJ11 (19" Basic)	70 06501 35					1
1	**FRAME ASSEMBLY (19")	H950-AA					
2	**Leveler	90-07600-00					
3	**Nut, Hex Lock (1/2-13 NC)	90-06596-00					
4	**Screen, Bottom Pan	74-11606-00					
5	**Screws, Sems Slotted Hd. No. 10-32 x 5/8	90-06323-00					
6	**STABILIZER FOOT ASSY. (Specify whether RH or LH)	H952-BA					
7	**Stabilizer Foot (RH)	74-06699-01					
8	**Stabilizer Foot (LH)	74-06699-02					
9	**Screw, Flat Hd. Shoulder, 1/4-20 x 2-5/8	90-08370-00					
10	**Screw, Phi Hd Truss No. 10-32 x 3/4	90-07630-00					
11	**Leveler (FB-2724)	90-07601-00					
12	**Nut, Kep 1/4-20	90-08203-00					
13	**Kick Plate	74-06782-00					
14	**FILLER STRIP ASSEMBLY	H952-GA					
15	**Filler Strip (Front)	74-06748-00					
16	**Filler Strip (Rear)	74-06749-00					
17	**Screw, Soc Hd Cap 1/4-20 x 3/4	90-06372 08					
18	**Nut, Kep 1/4-20	90-08203 00					
19	**Filter	H950-SA					



11/70 05

Figure 3. Console Board Assembly (Etch Rev. B1)

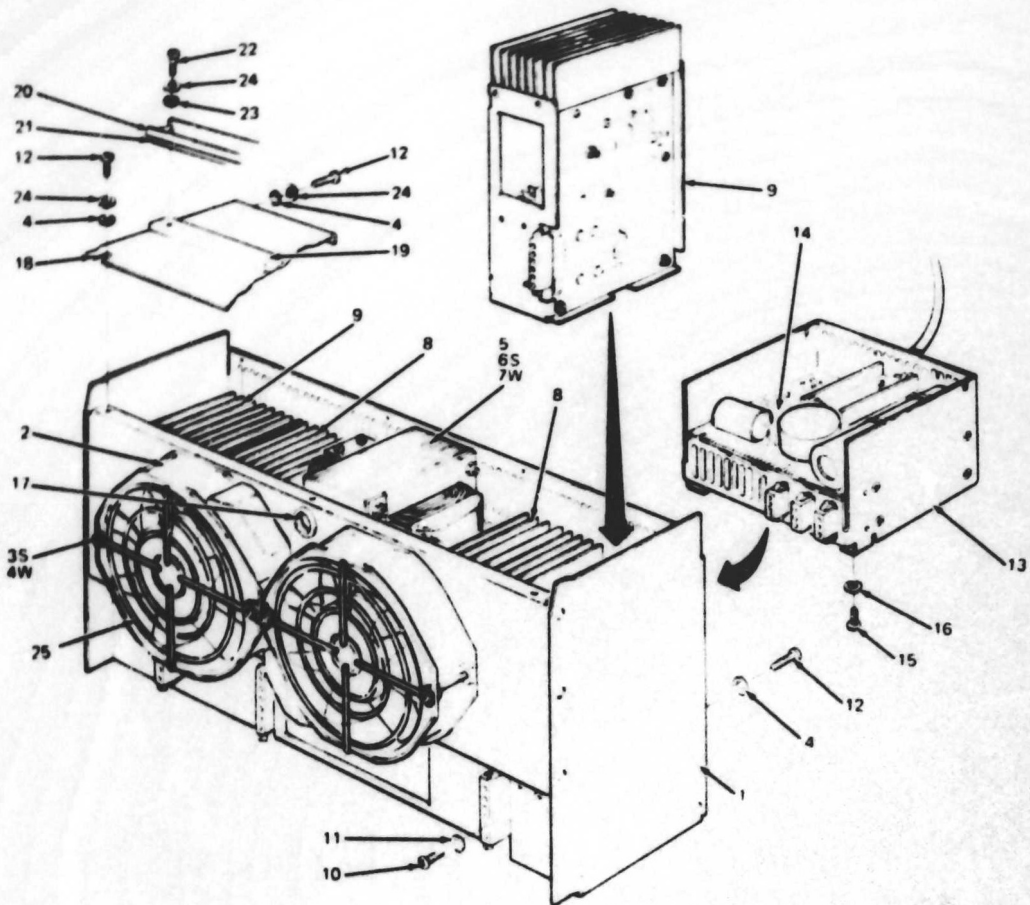
FIG & ITEM NO.	DESCRIPTION	DEC PART NO.	ECO CUT-IN 54-11294 00000	USED ON CODE	VENDOR		REF FIG NO.
					CODE	PART NO.	
3-	CONSOLE BOARD ASSEMBLY (11/70) ETCH REV. 8	54-11294-00					1
1	*Board, Etched Circuit	50-11293-00					
2	*Capacitor (C1 thru C19, C31) .01 MFD 100V 20%	10-01610-01					
3	*Capacitor (C20 thru C28, C30) 6.8 MFD 35V 10%	10-05306-00					
4	*LED (D1 thru D64) (SSL-22L2)	11-10864-00					
5	*Diode (D65 thru D128) D664	11-00114-00					
6	*IC (E1) DEC 9318	19-10454-00					
7	*IC (E2,E7,E8,E9,E10) DEC 7400	19-05575-00					
8	*IC (E3, E11 thru E19) DEC 7404	19-09686-00					
9	*IC (E4, E5) DEC 7417	19-09929-00					
10	*IC (E6) DEC 3001	19-09514-00					
11	*Resistor (R1 thru R36, R112) 1K Ohm, 1/4W 5%	13-00365-00					
12	*Resistor (R37 thru R47) 2.2K Ohm, 1/4W 5%	13-00417-00					
13	*Resistor (R48 thru R111) 180 Ohm, 1/4W 5%	13-01322-00					
14	*Switch (S1 thru S22, S28, S29) SPDT C&K	12-10840-00					
15	*Switch (S23 thru S27, S30) SPDT Momentary C&K	12-10841-00					
16	*Switch (S31) Rotary 3 Pos. (Ledex)	12-10753-00					
17	*Switch (S32, S33) Rotary 8 Pos. (Ledex)	12-10775-00					
18	*Lock, Power, 3 Pos. 90° Index (S31) (Includes Key)	12-10754-00					
19	*Nut, Hex No. 4-40 (Nylon) (S31, J4)	90-07992-00					
20	*Screw, Phi Pan Hd No. 6-32 x 5/16	90-06021-01					
21	*Washer, Nylon No. 6 (S31)	90-06707-00					
22	*Spacer, Hex 1/4 AF No. 6-32 x 11/16 (S31)	90-06858-00					
23	*Plate, Switch Mounting (S31)	74-12672-00					
24	*Washer, Ext Tooth No. 6 (S31)	90-07949-00					
25	*Screw, Phi Flat Hd No. 6-32 x 5/16 (S31)	90-06021-02					
26	*Washer, Int Tooth Lock No. 2 (S32, S33)	90-06631-00					
27	*Nut, Hex No. 2-56 (S32, S33)	90-06555-00					
28	*Bracket, Support	74-09895-00					
29	*Nut, Kep No. 6-32	90-06560-00					
30	*Holder, LED (Rework) (4 Pos.)	74-13127-00					
31	*Holder, LED (3 Pos.)	12-10940-02					
32	*Holder, LED (1 Pos.)	12-10848-02					
33	*Holder, LED (6 Pos.)	12-10795-02					
34	*Washer, Nylon No. 4	90-06706-00					
35	*Screw, Self-Tapping No. 4-40 x 5/16	90-09236-01					
36	*Connector (J4) Pin Housing, 8 Pin Mate-N-Lok	12-09456-01					
37	*Pin, Socket (AMP 61320-1)	12-09456-01					
38	*Screw, Phi Pan Hd No. 4-40 x 3/8 (Nylon)	90-06401-04					
39	*Support, Switch	74-09270-01					
40	*Connector, Right Angle Header (J1, J2, J3)	12-09941-00					
41	*Knob, Switch (Rose) (S1, S5, S6, S7, S11, S12, S13, S17, S18, S19, S24, S26, S28, S30)	12-10796-01					
42	*Knob, Switch (Magenta) (S2, S3, S4, S8, S9, S10, S14, S15, S16, S20, S21, S22, S25, S27, S29)	12-10796-02					
43	*Knob, Switch (Gray) (S23)	12-10796-03					
44	*Knob, Function (Black) (S32, S33)	12-10773-00					
45	*Key, Spare (For Lock Item 18)	29-15843-00			99	XX2247	



11/70-06

Figure 4. MJ11A Unit Assembly

FIG & ITEM NO.	DESCRIPTION	DEC PART NO.	ECO CUT-IN MJ11A 00002	USED ON CODE	VENDOR		REF FIG NO.
					CODE	PART NO.	
4-	UNIT ASSEMBLY - MJ11 A Code A - Used on Model 11/70-CA 115V Code B - Used on Model 11/70-CB 230V	MJ11 AY MJ11 AZ		A B			1 1
1	*Chassis (10-1/2")	70-09769-00					
2	**Foam, Adhesive (.75 x .38 x 8.0)	90-09600-00					
3	*POWER SUPPLY ASSY MJ11 115V	70-10694-00		A			5
	*POWER SUPPLY ASSY MJ11 230V	70-10694-01		B			5
4	*Screw, Phi Flat Hd No. 10-32 x .50	90-09599-00					
5	*Slide, Chassis (3 Position Tilt)	12-11825-02					
6	*Screw, Phi Hd Truss No. 10-32 x .38	90-06071-03					
7	*Washer, Ext Tooth Lock No. 10	90-07651-00					
8	*Back Plane Assembly (MEM)	70-10497-00					
9	*Screw, Phi Pan Hd No. 8-32 x .38	90-06022-03					
10	*Washer, Int Tooth Lock No. 8	90-06633-00					
11	*Screw, Phi Pan Hd Self-Tap No. 8-32 x .38 (Used to Fasten Ground Wire to Back Plane)	90-06634-00					
12	*Washer, Int Tooth Lock No. 8 (Used to Fasten Ground Wire to Back Plane)	90-06418-01					
13	*Card Guide	12-11630-00					
14	*Card Guide (Rework)	74-13204-00					
15	*HARNESS, Power	70-10580-00					9
16	*HARNESS, AC/DC LO	70-10581-00					10
17	*Clamp, Cable	90-07086-00					
18	*Cover, Chassis	70-09768-00					
19	**Pad (.030 Thk. x 11.8" x 19")	12-10984-02					
20	*Washer, Flat No. 6	90-06658-00					
21	*Spacer, Shim (Installed between Chassis Item 1 and Back Plane Item 8)	74-13975-00					
22	*Protector, Right Metal Edge	74-14018-00					
23	*Protector, Left Metal Edge	74-14016-00					
24	*Screw, Phi Truss Hd No. 10-32 x .25	90-09715-00					
25	*Decal, Warning	36-12493-00					
26	*Sticker, Memory (MJ11)	36-12423-00					
	MODULES						
	*16K x 18 Bit Stack	H217 C					
	*16K Memory Drive Board	G235 00					
	*16K Sense/Inhibit Board	G114 00					
	*Memory Continuity and Timing	M8148 00					
	*Memory Transceiver Card	M8149 00					

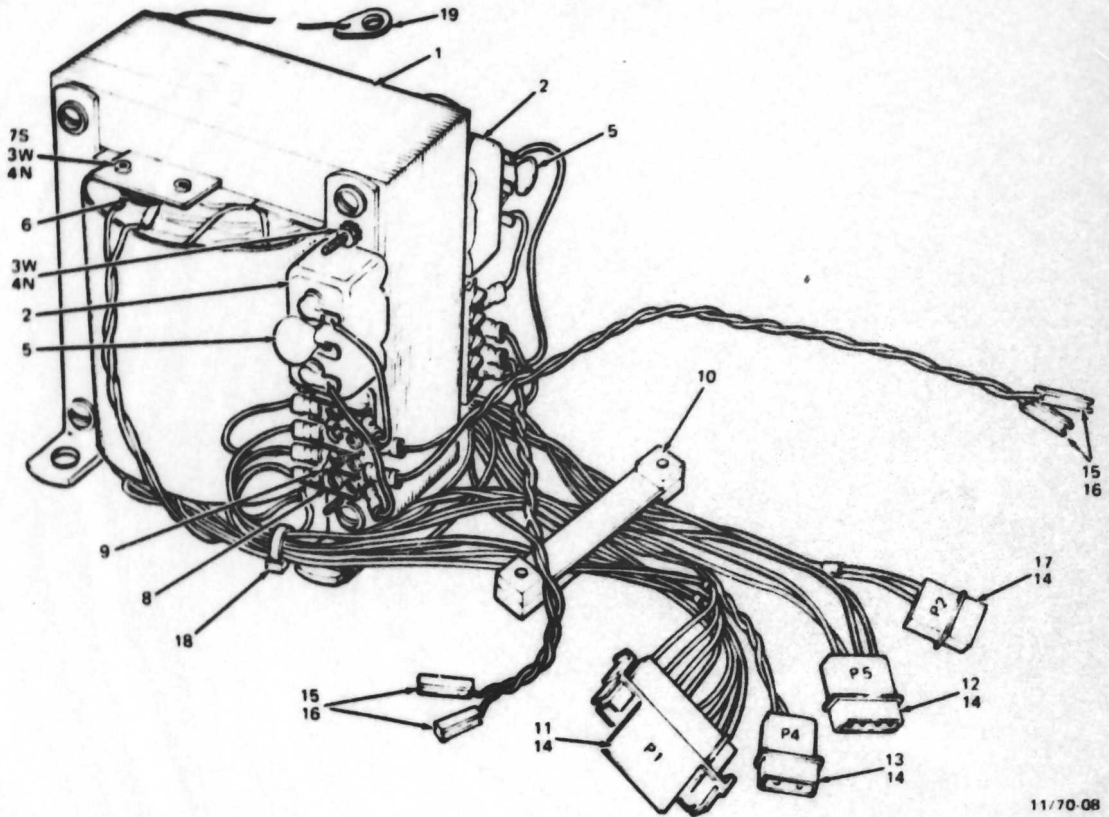


11-70-07

Figure 5. Power Supply Assembly (MJ11)

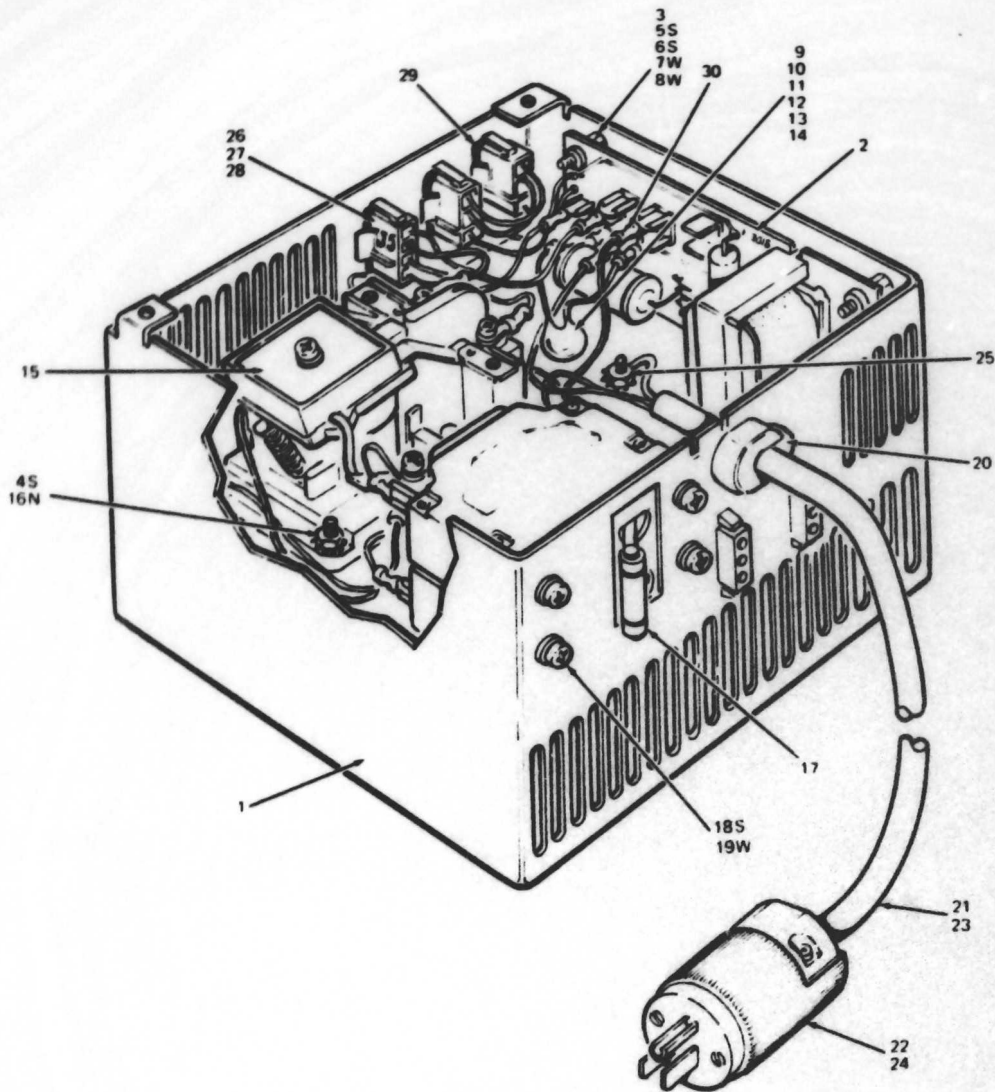
FIG & ITEM NO.	DESCRIPTION	DEC PART NO.	ECO CUT-IN 70-10694 00002	USED ON CODE	VENDOR		REF FIG NO.
					CODE	PART NO.	
5-	POWER SUPPLY ASSEMBLY (MJ11) 115V 50/60 Hz	70-10694-00		A			4
	POWER SUPPLY ASSEMBLY (MJ11) 230V 50/60 Hz	70-10694-01		B			4
1	*Chassis, Power Supply	70-09752-00					
2	*Fan, 115 VAC 50/60 Hz, Amphenol 1-1/2" thick (Note: Use only Amphenol 1-1/2" Thick Fan - Specify when reordering)	12 11714-00					
3	*Screw, Phi Truss Hd No. 6-32 x 1.75	90-06031-03					
4	*Washer, Int Tooth Lock No. 6	90-06633-00					
5	*TRANSFORMER ASSEMBLY	70-10014-00					6
6	*Screw, Phi Pan Hd No. 10-32 x .50	90-06073-03					
7	*Washer, Lock, Ext Tooth No. 10	90-09599-00					
8	*REGULATOR ASSEMBLY +5V	H744-00				See IPB Manual DEC H744-IPB	
9	*REGULATOR ASSEMBLY +20	H754-00				See IPB Manual DEC H754-IPB	
10	*Screw, Phi Truss Hd No. 10-32 x .25	90-06007-03					
11	*Washer, Int Tooth Lock No. 10	90-06635-00					
12	*Screw, Phi Truss Hd No. 6-32 x .38	90-06022-03					
13	*AC INPUT BOX ASSEMBLY 115V	70-09811-01		A			7
	*AC INPUT BOX ASSEMBLY 230V	70-09811-02		B			7
14	*POWER LINE MONITOR/15V Reg.	54-11086-YA					
15	*Screw, Phi Flat Hd No. 6-32 x .31 (Fastens Item 13 to Item 1)	90-08404-02					
16	*Washer, C'sk No. 6 (Fastens Item 13 to Item 1)	90-08270-00					
17	*Grommet, .50 ID	90-07016-00					
18	*Power Supply Cover Assembly	70-09949-00					
19	**Strip, Clamp	74-12473-00					
20	*Wire Trough Assembly	70-09950-00					
21	*Strip, Clamp	74-12473-00					
22	*Screw, Phi Truss Hd No. 8-32 x .62	90-06040-03					
23	*Washer, Int Tooth Lock No. 8	90-06634-00					
24	*Washer, Flat No. 6	90-06658-00					
25	*Guard, Fan DECALS (Not Shown)	12-12561-00					
	*Danger High Voltage Decal	36-10267-00					
	*UL Decal	53-09414-00					
	*NFPA Decal	53-09413-00					
	*MJ11 Power Supply Decal	36-12422-00					

FIG & ITEM NO.	DESCRIPTION	DEC PART NO.	ECO CUT-IN 70-10014 00003	USED ON CODE	VENDOR		REF FIG NO.
					CODE	PART NO.	
6-	TRANSFORMER ASSEMBLY	70-10014-00					5
1	*Transformer (T1)	16-11721-00					
2	*Capacitor, Line, Oil Filled (C1, C2)	10-10193-00					
3	*Washer, Int Tooth No. 4	90-06632-00					
4	*Nut, Hex No. 4-40	30-09280-00					
5	*Varieter (D1, D2)	13-11996-00					
6	*Switch, Thermal (RT1)	12-10902-01					
7	*Screw, Phi Pan Hd No. 4-40 x .31	90-06010-01					
8	*Terminal, Strip (TB1, TB2)	90-06901-00					
9	*Jumper	90-09002-00					
10	*Clamp, Cable	74-12257-00					
11	*Connector (P1) Pin Housing, 8 Pin Mate-N-Lok	12-09340-01					
12	*Connector (P5) Pin Housing, 4 Pin Mate-N-Lok	12-09351-04					
13	*Connector (P4) Pin Housing, 3 Pin Mate-N-Lok	12-09351-03					
14	*Terminal, Pin Contact (P1, P2, P4, P5)	12-09378-01					
15	*Housing, Socket Fastab (P7, P8, P9, P10)	12-10820-01					
16	*Socket, Fastab (P7, P8, P9, P10)	12-10820-02					
17	*Connector (P2) Pin Housing, 2 Pin Mate-N-Lok	12-10822-02					
18	*Tie Wrap	90-07032-00					
19	*Ground Lug	90-08150-00					



11/70-08

Figure 6. Transformer Assembly



H765-04

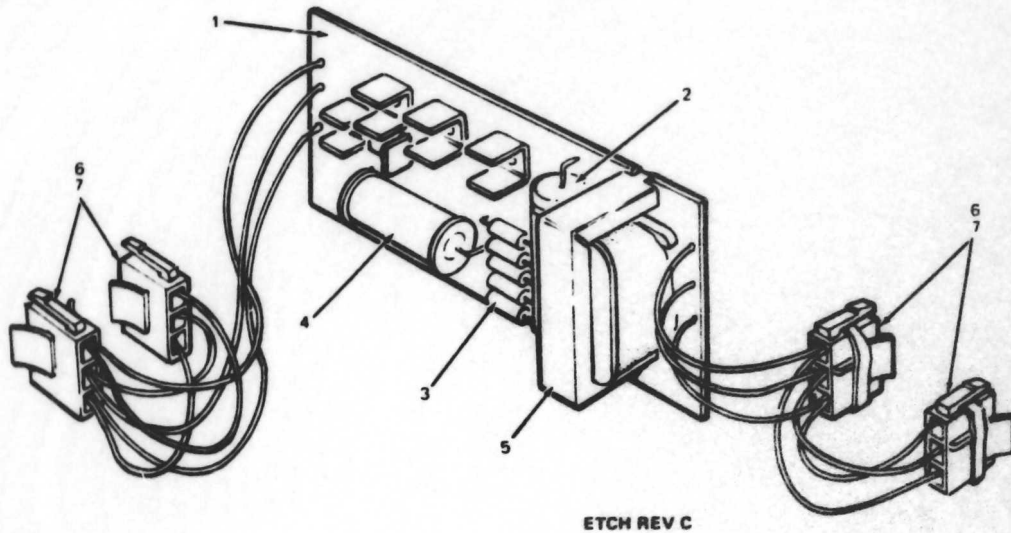
Figure 7. AC Input Box Assembly



IPB-11/70

FIG & ITEM NO.	DESCRIPTION	DEC PART NO.	ECO CUT-IN 70-09811 00002	USED ON CODE	VENDOR		REF FIG NO.
					CODE	PART NO.	
7-	AC INPUT BOX ASSEMBLY 115V 47-63 Hz 12A	70-09811-01		A			5
	AC INPUT BOX ASSEMBLY 230V 47-63 Hz 6A	70-09811-02		B			5
1	*Chassis	70-09812-00					"
2	*AC POWER CONTROL BOARD ASSEMBLY	54-10993-00					
3	*Spacer, No. 6-32 x 7/8	90-06844-00					
4	*Screw, Phi Flat Hd No. 6-32 x .50	90-06024-02					
5	*Screw, Phi Flat Hd No. 6-32 x 3/16	90-08020-02					
6	*Screw, Phi Pan Hd No. 6-32 x .25	90-06020-01					
7	*Washer, Int Tooth No. 6	90-06633-00					
8	*Washer, Flat	90-06653-00					
9	*VARISTOR ASSEMBLY (D6) 150V	70-10300-01		A			
10	**Varistor 150V	13-11996-00		A			
11	**Connector, Solderless Red	90-07917-00					
12	*VARISTOR ASSEMBLY (D7) 275V	70-10300-02		B			
13	**Varistor 275V	13-11996-02		B			
14	**Connector, Solderless Red	90-07917-00					
15	*Relay (K2) 115V	12-11222-01		A			
	*Relay (K2) 230V	12-11222-02		B			
16	*Nut, Kep No. 6-32	90-08185-00					
17	*Circuit Breaker 20A	12-10191-06		A			
	*Circuit Breaker 10A	12-10191-06		B			
18	*Screw, Phi Pan Hd No. 6-32 x .25	90-06020-01					
19	*Washer, Int Tooth No. 6	90-06633-00					
20	*Strain Relief	90-08509-00					
21	*POWER CORD ASSEMBLY 115V	70-10131-01		A			
22	**Plug, Male 115V	90-08938-00		A			
23	*POWER CORD ASSEMBLY 230V	70-10131-02		B			
24	**Plug, Male 230V	90-08853-00		B			
25	*Nut, Kep No. 8-32	90-06563-00					
26	*HARNESS, Power Control 110V	70-10302-01		A			
	*HARNESS, Power Control 230V	70-10302-02		B			
27	**Connector (J5) Socket Housing 4 Pin Mate-N-Lok	12-09350-04					
28	**Terminal, Socket Contact	12-09379-01					
29	**"O" Ring	90-09640-00					
30	*Power Jumper Assy (2.25 Lg)(No. 14 AWG Blk)	70-10301-01					
	*Power Jumper Assy (2.0 Lg)(No. 14 AWG Blk)	70-10301-02		B			
	*Power Jumper Assy (4.0 Lg)(No. 14 AWG Blk)	70-10301-03					
	*Power Jumper Assy (6.5 Lg)(No. 14 AWG Blk)	70-10301-04		A			
	*Power Jumper Assy (5.0 Lg)(No. 14 AWG Wht)	70-10301-05		A			
	*Power Jumper Assy (5.0 Lg)(No. 14 AWG Wht)	70-10301-06		B			
	*Power Jumper Assy (4.5 Lg)(No. 14 AWG Brn)	70-10301-07					

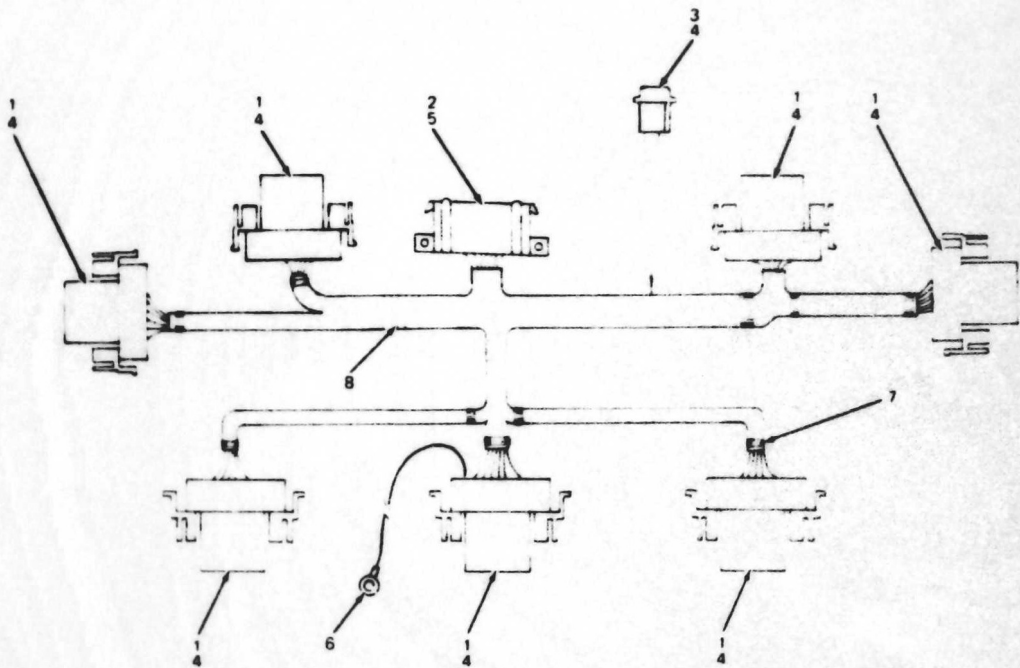
FIG & ITEM NO.	DESCRIPTION	DEC PART NO.	ECO CUT-IN 54-10993 00018	USED ON CODE	VENDOR		REF FIG NO.
					CODE	PART NO.	
8 -	AC POWER CONTROL BOARD ASSEMBLY ETCH REV. C	54-10993-00					7
1	*Board, Etched Circuit	50-10992-00					
2	*Capacitor (C1) 50MFD 50VDC	10-00080-00					
3	*Diode (D1-D5) 1N4004	11-05796-00					
4	*Relay, Reed (K1)	12-11179-00					
5	*Transformer (T1)	16-11178-00					
6	*Connector (J1-J4) (Socket Housing) 3 Pin Mate-N-Lok	12-09350-03					
7	*Terminal, Socket Contact	12-09379-00					
	Note: Wire - No. 18 AWG (Blue, Violet, Gray)						



H765-05

Figure 8. AC Power Control Board Assembly (Etch Rev. C)

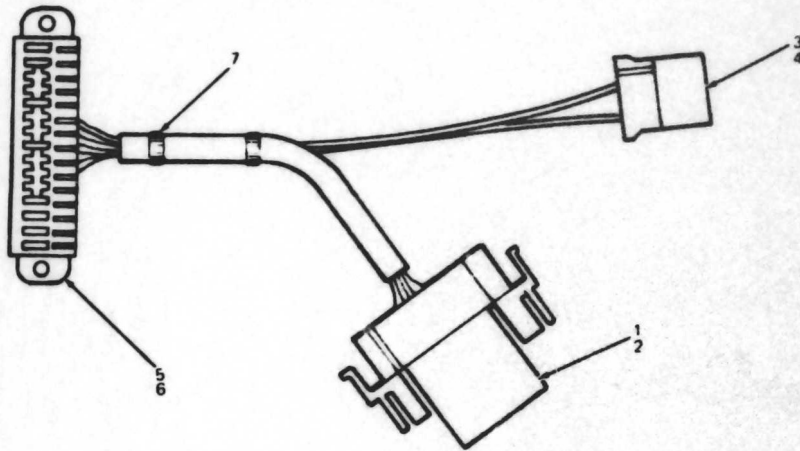
FIG & ITEM NO.	DESCRIPTION	DEC PART NO.	ECO CUT-IN 70-10580 00001	USED ON CODE	VENDOR		REF FIG NO.
					CODE	PART NO.	
9-	POWER HARNESS ASSEMBLY (MJ11A)	70-10580-00					4
1	*Connector (P13, P14, P15, P16, P18, P20, P21) Pin Housing, 8 Pin Mate-N-Lok	12-09340-01					
2	*Connector (J1) Socket Housing, 8 Pin Mate-N-Lok	12-09340-00					
3	*Connector (P3) Pin Housing, 3 Pin Mate-N-Lok	12-09351-03					
4	*Terminal, Pin Contact (P13, P14, P15, P16, P18, P20, P21)	12-09378-01					
5	*Terminal, Socket Contact	12-09379-01					
6	*Terminal No. 10 Hole	90-07930-00					
7	*Cable Tie	90-07880-00					
8	*Serial Tag	90-09532-00					



11 70-10

Figure 9. Power Harness Assembly (MJ11A)

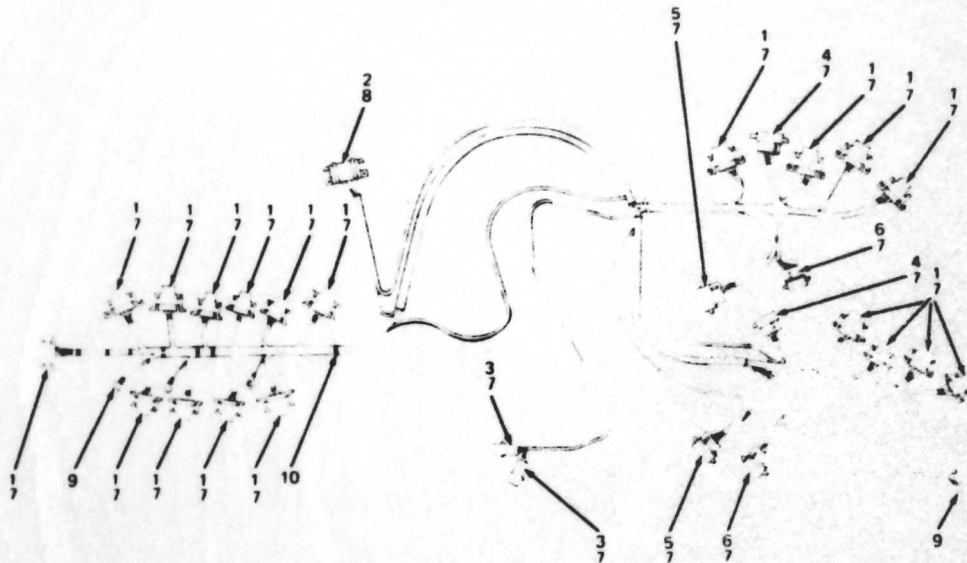
FIG & ITEM NO.	DESCRIPTION	DEC PART NO.	ECO CUT-IN 70-10581 00000	USED ON CODE	VENDOR		REF FIG NO.
					CODE	PART NO.	
10-	AC/DC LOW WIRE HARNESS ASSEMBLY	70-10581-00					4
1	*Connector (P19) Pin Housing, 8 Pin Mate-N Lok	12-09340-01					
2	*Terminal, Pin Contact (P19)	12-09378-01					
3	*Connector (J2) Socket Housing, 2 Pin Mate-N-Lok	12-10821-02					
4	*Terminal, Socket Contact	12-09379-01					
5	*Housing, Terminal (P8)	12-10380-07					
6	*Terminal, Right Angle	12-10381-00					
7	*Cable Tie	90-07880-00					



11 70 11

Figure 10. AC/DC Low Wire Harness Assembly

FIG & ITEM NO.	DESCRIPTION	DEC PART NO.	ECO CUT-IN 70-11051 00000	USED ON CODE	VENDOR		REF FIG NO.
					CODE	PART NO.	
11-	POWER HARNESS (11/70)	70-11051-00					1
1	*Connector, (P1-P7,P9,P11-P13,P17-P20, P25-P28) Pin Housing 8 Pin, Mate-N-Lok	12-09340-01					
2	*Connector, (P8) Socket Housing, 8 Pin Mate-N-Lok	12-09340-00					
3	*Connector, (P23,P24) Pin Housing, 3 Pin Mate-N-Lok	12-09351-03					
4	*Connector, (P10,P16) Pin Housing, 15 Pin Mate-N-Lok	12-09351-15					
5	*Connector, (P15,P22) Pin Housing, 12 Pin Mate-N-Lok	12-09351-12					
6	*Connector, (P14,P21) Pin Housing, 9 Pin Mate-N-Lok	12-09351-09					
7	*Terminal, Pin Contact	12-09378-00					
8	*Terminal, Socket Contact	12-09379-00					
9	*Connector, Solderless	90-07928-00					
10	*Tie Wrap	90-07032-00					
							DEC



11 70-12

Figure 11. Power Harness Assembly (11/70)